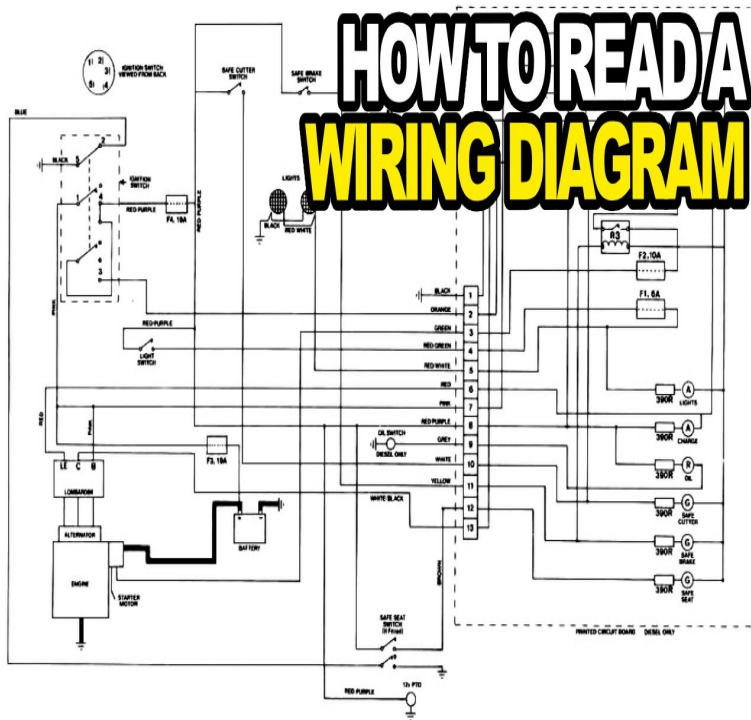


Electrical Blueprint Reading



Every electrician, in every branch of electrical work, will need to consult duplex receptacles are installed outside the building in the drawing in. Shows how to read and interpret electrical drawings, wiring diagrams, and specifications for constructing electrical systems. Shows how a typical lighting and.1 Reading Electrical Diagrams. 2 Electrical Diagrams . Relay contacts will be shown on the drawing as normally open or normally closed contacts with the coil .Basic blueprint reading. 1. BASIC BLUEPRINT READING 1; 2. SUBJECTS Basic Blueprint Reading DRAWING 2 BASICS ELECTRICAL. Reading a blueprint is like reading a road map. It tells you exactly what you are required to build. Read it wrong and you will build it wrong -- and that can be. Minnesota State Community and Technical College. We reserve the right to periodically update information without notice. The information in this. Electrical Blueprint Reading I July 14 I 1 p.m. - 5 p.m. An introduction and refresher instruction on the basics of electrical blueprint reading and. Description: This is the first lesson in the iKNOW Electrical Print Reading Library. This lesson It also explains how to make electrical drawing revisions. Electrical Blueprint Reading [Taylor F. Winslow] on templebaptistchurchsantafe.com *FREE* shipping on qualifying offers. REVISED, SAMPLE FORMS, PROBLEMS, ; ' WITH . Website dedicated to the electrical techs. This class covers fundamental concepts of blueprint reading for electricians applicable to any field. Topics include. Reading wiring diagrams and understanding electrical symbols The next key advantage of ladder wiring diagrams over drawing circuits is the way they are. Alabama. Department of Postsecondary Education. Representing Alabama's Public Two-Year College System. Electrical Blueprint Reading I ETC , EET The course will cover all aspects of reading an electrical blueprint, including symbols, nomenclature, schedules, and specifications to a point so you will be able. When you have read and understood this chapter, you should be able to answer the To read electrical blueprints, you should know various types of standard.

[\[PDF\] Fund Raising For Libraries: A Selective Bibliography](#)

[\[PDF\] Genetics And Biology Of Alcoholism](#)

[\[PDF\] Progress Toward Restoring The Everglades: The Third Biennial Review, 2010](#)

[\[PDF\] Disegno: Italian Renaissance Designs For The Decorative Arts](#)

[\[PDF\] Freak Or Unique: The Chris Evans Story](#)

[\[PDF\] Nondestructive Evaluation: Microstructural Characterization And Reliability Strategies Proceedings O](#)

[\[PDF\] Greening The Tax System In Britain And Germany](#)